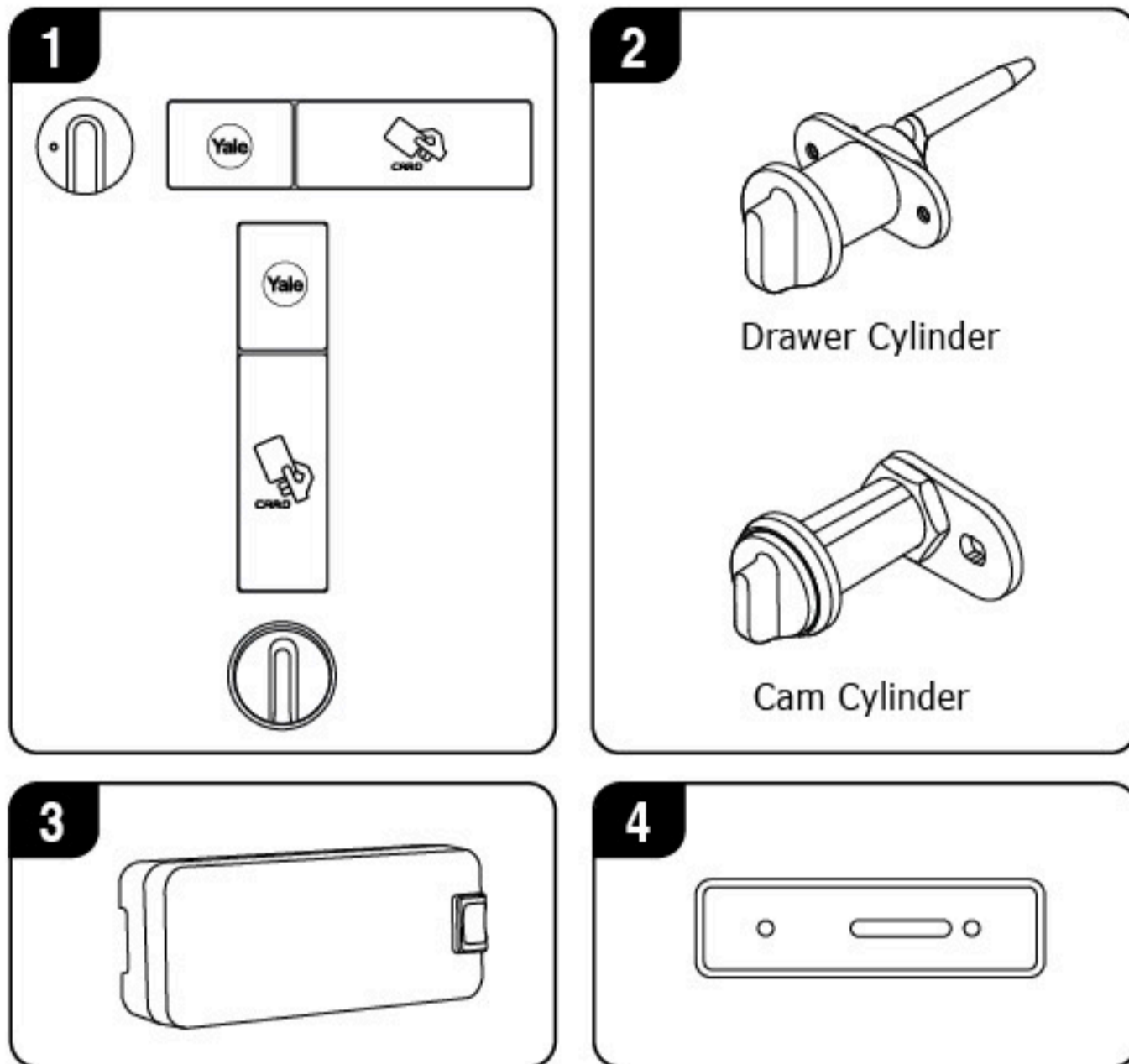


"ML22HRH/V, ML32HRH/V" Instruction Manual

Part List



NO	Item	Description
1	RF Pad (H type)	Horizontal
	RF Pad (V type)	Vertical
2	Cam Cylinder	For Cabinet
	Drawer Cylinder	For Multi-drawer
3	Battery pack	AAA Alkaline battery 3EA
4	Rubber Pad	Protection for RF Pad

CARDS – TWO LEVELS

ML22HR and ML32HR has two Card levels

Master Card (1 ~ 20 cards)	<ul style="list-style-type: none"> Open the lock (lock is stay opened after use the Master Card) Deletes the User Card automatically
User Card (1 ~ 20 cards)	<ul style="list-style-type: none"> Open the lock (automatically locked after 2 seconds) Change the User Card

1. Setting first time Master Card

Sequence of Use	Description
① Touch an RF card named "Master"	Red LED blinks with beeps if it is registered successfully

Example) Touch A Card → Result) A Master Card has been registered

2. Change or setting up to 20 Master Cards

Sequence of Use	Description
① Touch current Master card for 4 seconds	ALL LED blinks 1 time with a beep and Red LED blink for 8 seconds
② Touch up to 20 cards one by one	Red LED blink 1 time with beeps
③ Touch same card twice to stop the setting	Red LED blink 1 time with beeps

Example) Touch a Master Card for 4 seconds – touch B card – touch C card – touch C card again → Result) (A, B and C) Master cards has been registered

Important Note for Master Card

- First used card became a Master card (No factory set)
- Cannot lock by Master card and the User Card automatically gets deleted after use of the Master Card

3. Setting your own first time User Card

Set the User Card (1~20 Cards)

Sequence of Use	Description
① Touch any Master Card less than 4 seconds	Melody "do-re-mi" and "green" LED blinks for 8 seconds
② Touch up to 20 cards one by one	Red LED blink 1 time with beeps
③ Touch same card twice to stop User Card setting	ALL LED off with a beep sound

Example 1) Touch the current Master Card-Touch User Card A-Touch User Card A Again → Result) User Card A now operative

Example 2) Touch the current Master Card-Touch User Card A-Touch User Card B → Touch User Card B Again → Result) User Card A,B now operative

Use the User Card

Sequence of Use	Description
① Touch a User Card	Green LED blinks 3 times with beeps
② Turn the handle	To the open position (clockwise or count-clockwise)

Example) Touch User Card → Result) Lock opened internally. Turn the handle to open

Important Note

- Master Card cannot be changed when the User Card has already been set. Delete the User Card first.
- Internal locking mechanism automatically locked after 4 seconds after using the User Card. Just turn the handle backward to close
- Strong shock may cause damage of the lock

4. Changing the user card

Sequence of Use	Description
Touch current Master Card to delete current user card	Red LED blinks 3 times with beeps.
Touch current Master Card again	Melody "do-re-mi" and "green" LED blinks for 8 seconds
Touch new User Card	Red LED blink 1 time with beeps
Touch same User Card again to stop setting	ALL LED off with a beep

5. Other Functions

Turn off beep sound

Sequence of Use	Description
Touch any User card for 4 seconds (Turn Off)	Red LED blinks 1 time with a beep

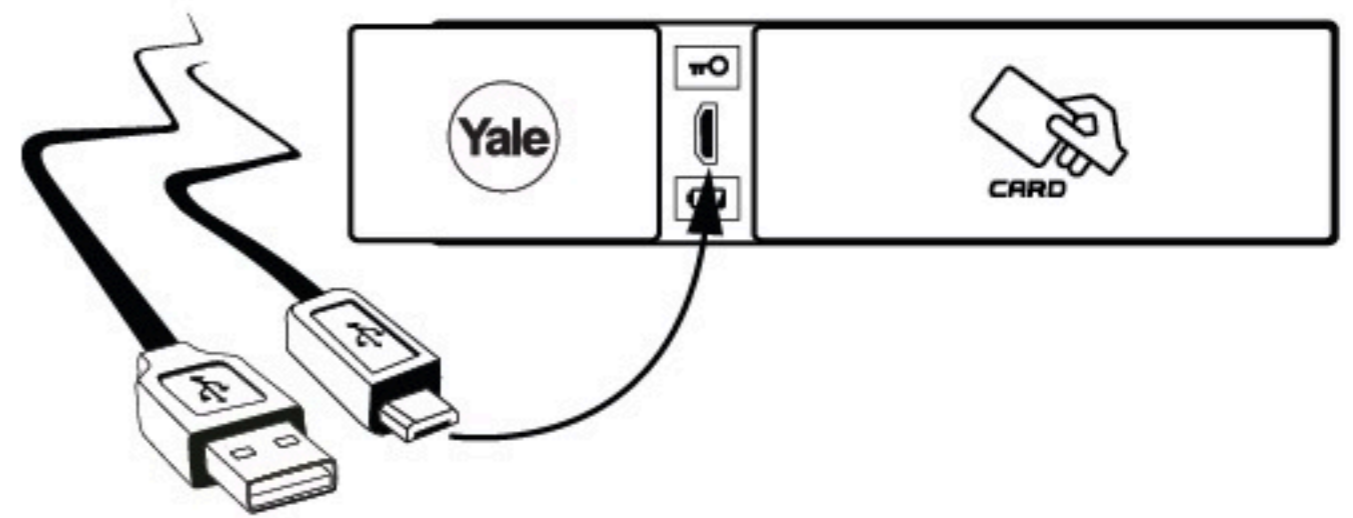
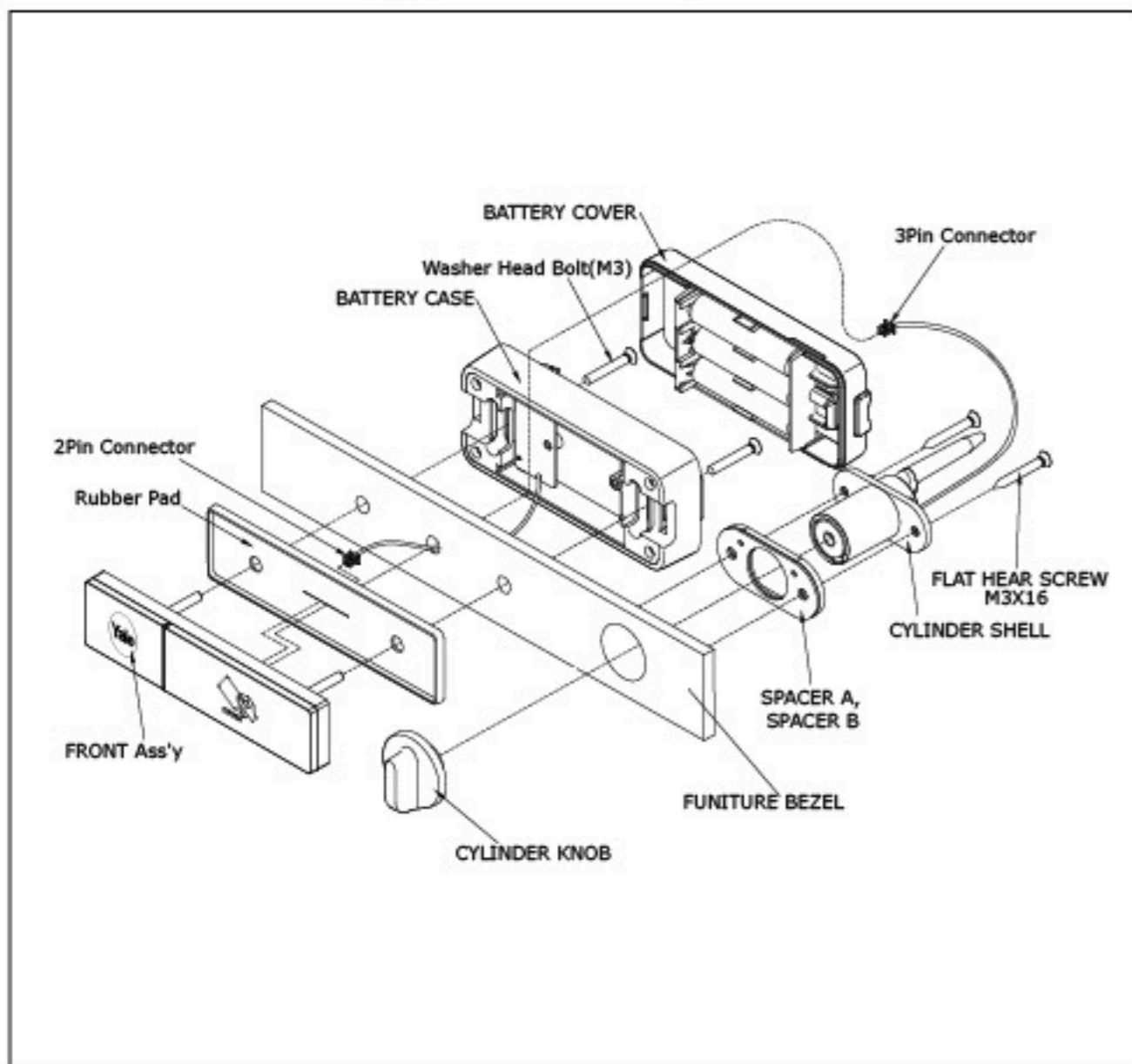
Turn On beep sound

Sequence of Use	Description
Touch any User card for 4 seconds (Turn On)	Green LED blinks 1 time with a beep

External Power for emergency

Sequence of Use	Description
Connect standard micro USB to the USB Port on the RF Pad	Use external USB power if the battery is dead and the lock does not respond at all

Install Drawing (ML22HRH)



Yale

Install Drawing (ML32HRH)

